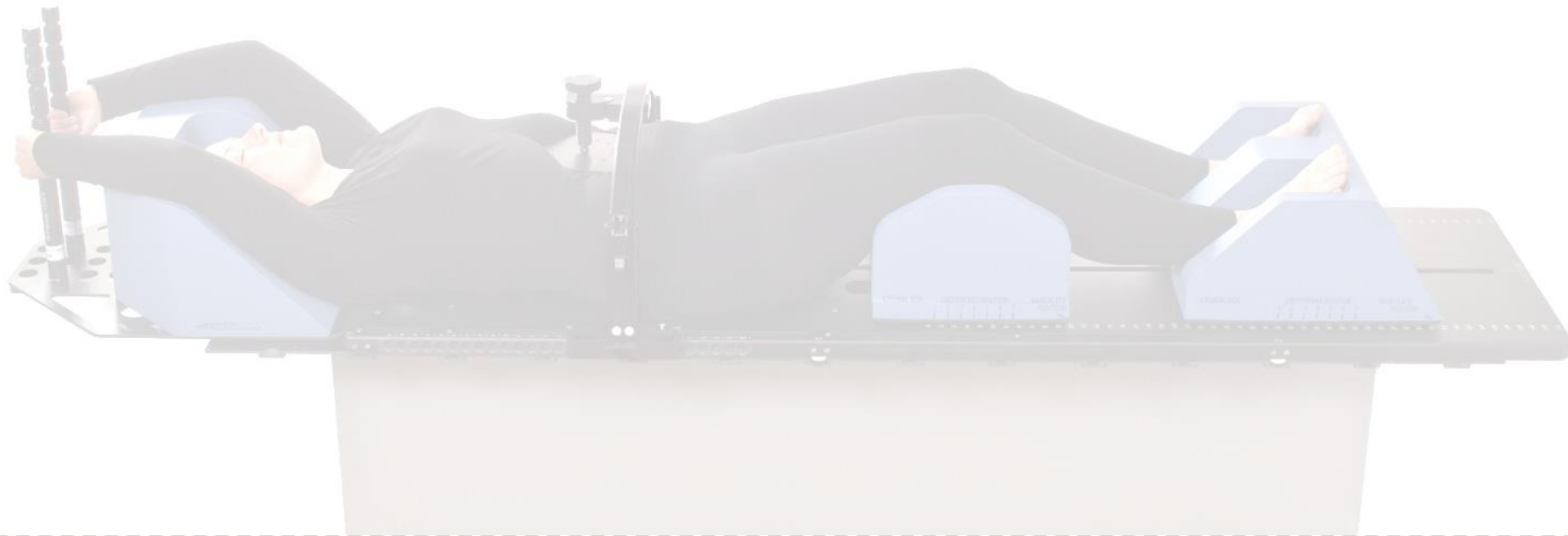




The
precision
expert

THE SBRT SOLUTION



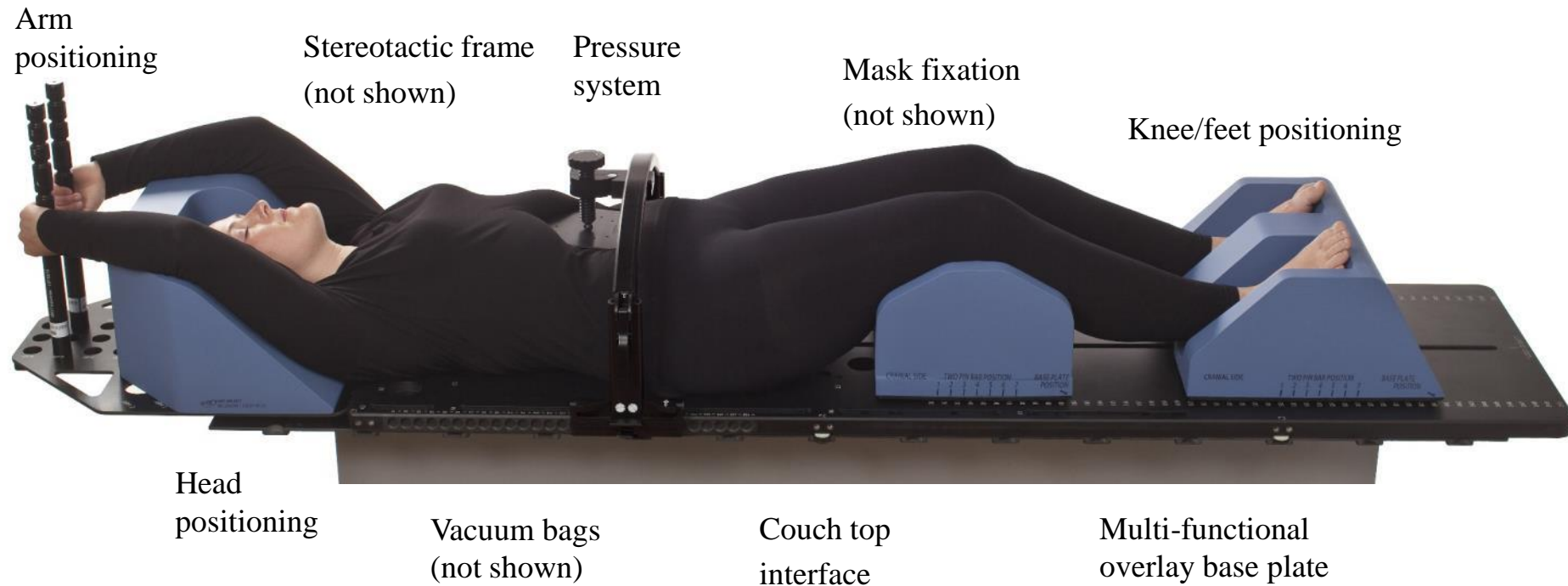
SBRT SOLUTION

The SBRT solution is developed in collaboration with users worldwide, via existing SBRT studies, products available on the market and on-site testing to provide a system which combines high technology, ease of use and precision to meet current and future demands.

The SBRT solution provides a precise, stable and easy to use set-up to be able to apply the most effective radiation treatment method for abdominal tumors.

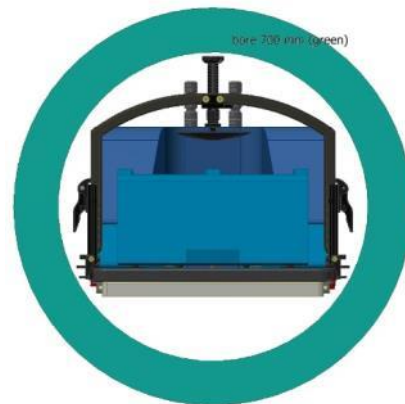
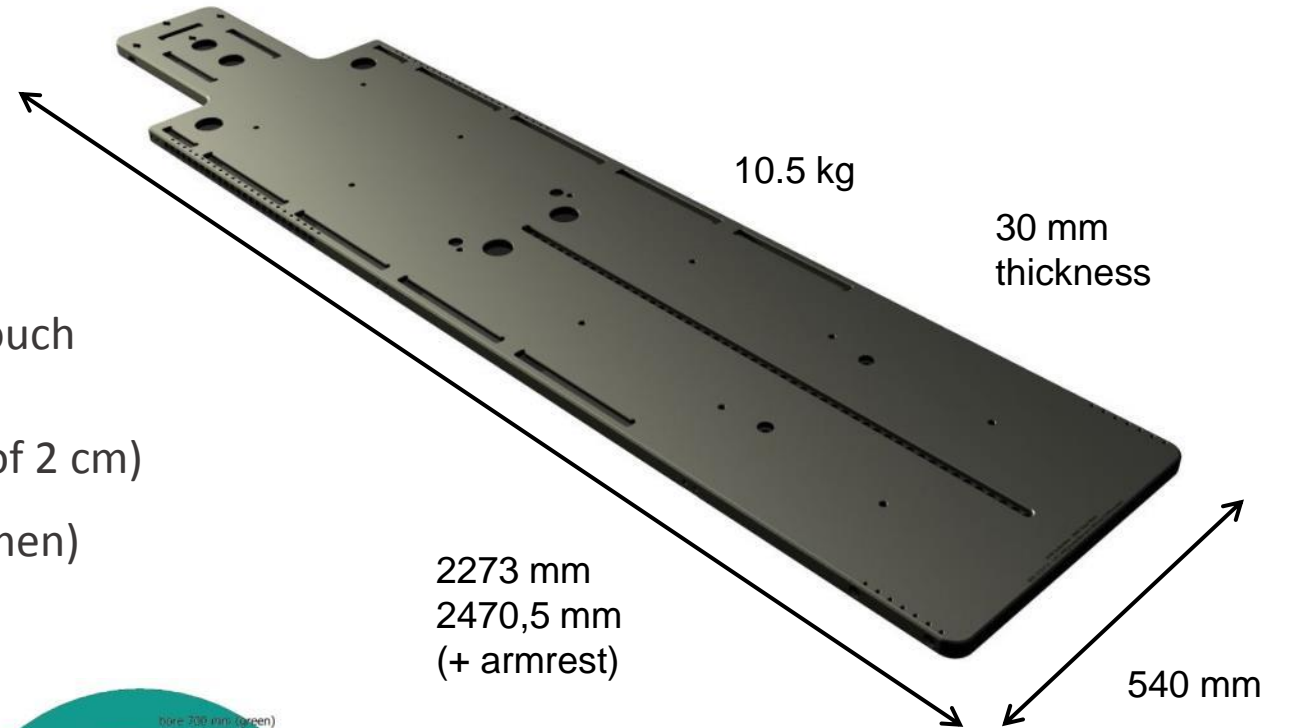
The base plate offers extra functionality with regards to patient positioning enabling the use of most of THE AIO SOLUTION[®] components.

SBRT Solution – long base plate

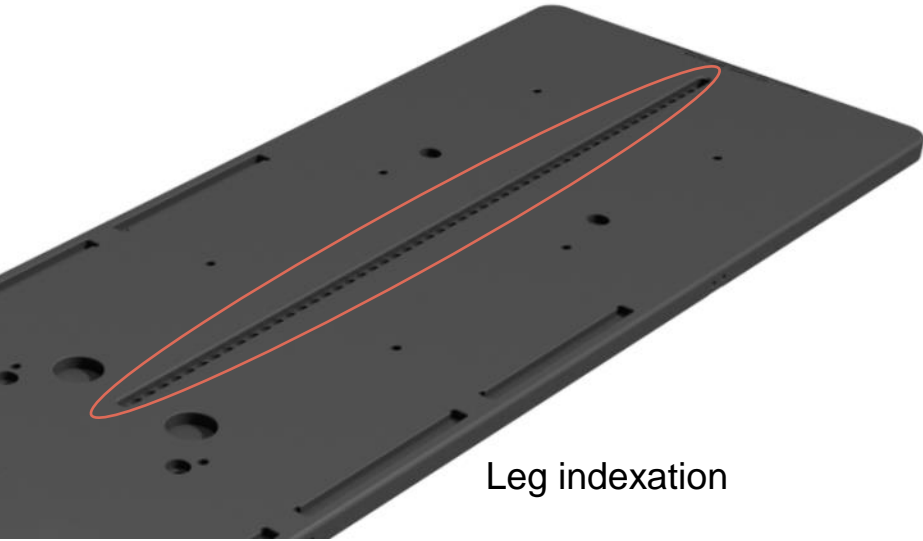
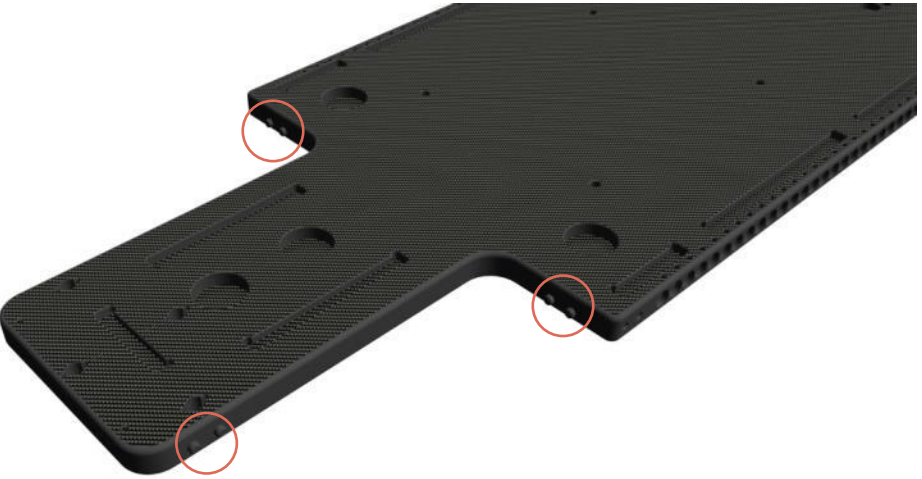
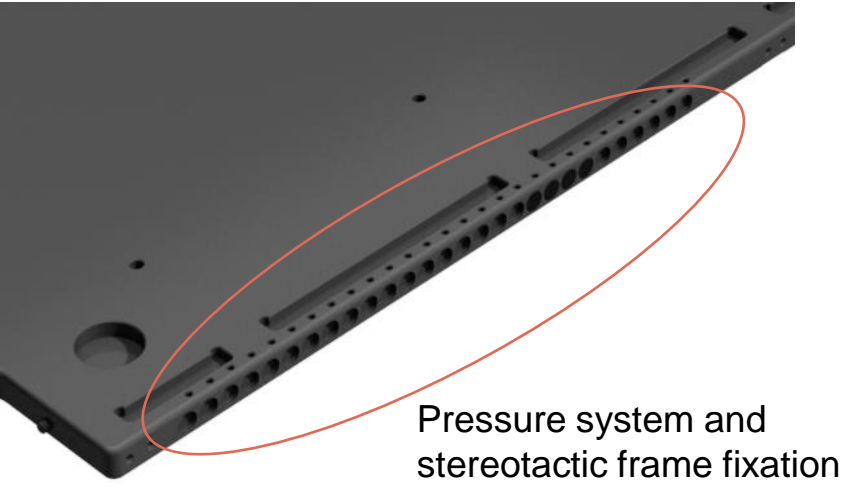
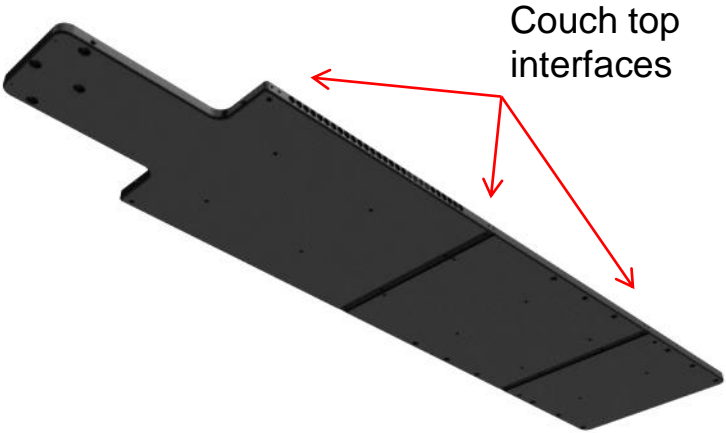


Long SBRT Base Plate

- Glass fiber base plate
- Use of standard Orfit head rests
- Compatible with HP Efficast® Masks
- Standard 2-pin bar interface suitable for most couch tops
- All positions are numbered (mostly increments of 2 cm)
- Low density in critical SBRT areas (thorax, abdomen)
- MRI compatible (bores min. 700 mm)



Multi-functional base plate



Arm rest fixation

Leg indexation

Multi-functional base plate

- It is possible to combine the AIO SOLUTION[®] accessories with the SBRT solution.
- The AIO base plate is replaced by the SBRT base plate
- The knee & leg positioning cushions are replaced by the SBRT knee and foot cushions
- The GREEN and BLUE AIO cushion sets can be indexed to the SBRT base plate
- The AIO leg separator and the YELLOW AIO cushions are not compatible with the SBRT base plate.

Multi-functional base plate



Multi-functional base plate

- HP slots all along the base plate
- Compatible with HP Efficast[®] thermoplastic masks in different shapes and sizes:
 - Head masks
 - Head, neck and shoulder masks
 - Thorax masks
 - Pelvic masks
 - Knee masks
- Possible to immobilize every part of the body



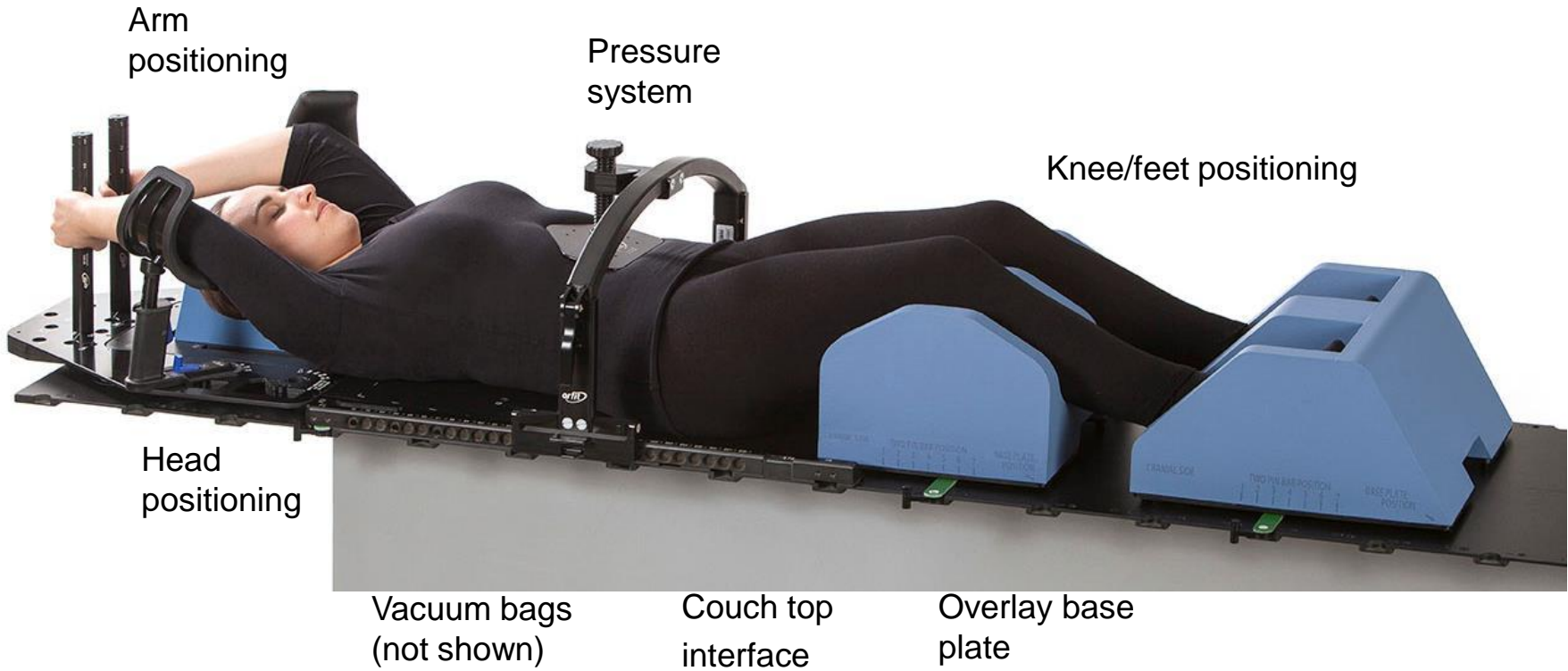
Multi-functional base plate

The Long SBRT Base Plate is also available with extra lung slots

The extra lung slots are narrower to allow the use of lung masks for smaller

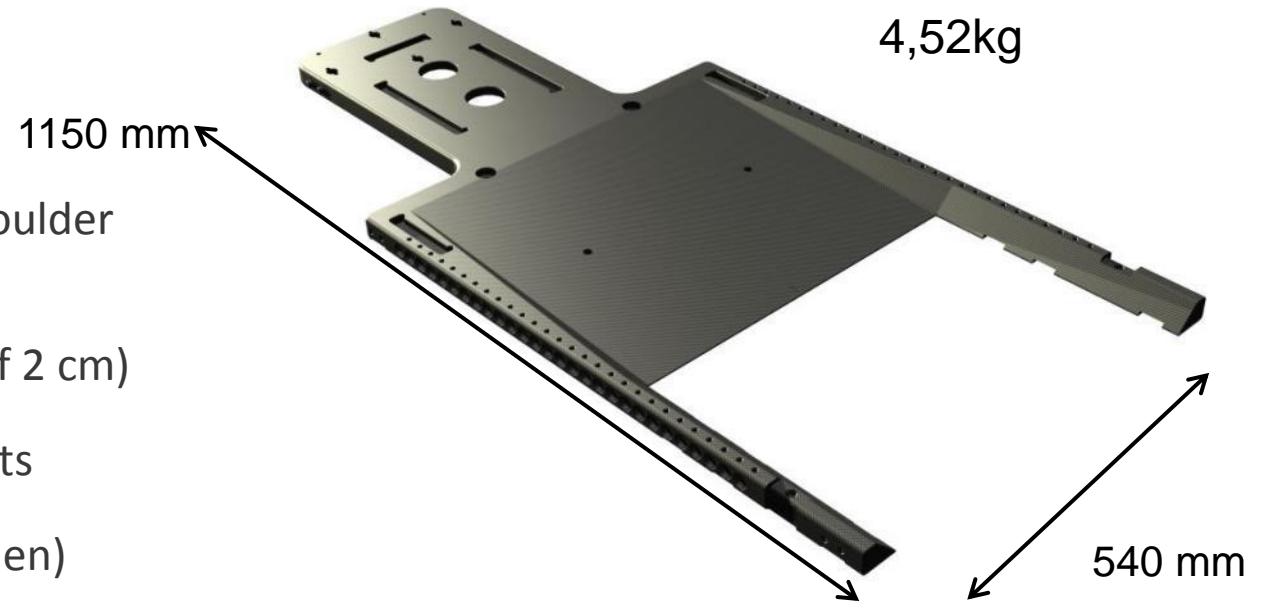


SBRT Solution – Short Base Plate



Short SBRT Base Plate

- Glass fiber base plate
- Use of standard Orfit head rests
- Compatible with HP Efficast® Head, Neck and Shoulder Masks
- All positions are numbered (mostly increments of 2 cm)
- Not compatible with the AIO Solution components
- Low density in critical SBRT areas (thorax, abdomen)
- MRI compatible (bores min. 700 mm)



Arm support

- Cushion-type arm set-up at two positions: cranial and caudal
- Elevation cushion to elevate the arm support
- Use of grip poles (1 or 2) at 12 positions
- Also compatible with MammoRx-Type arm supports
- Removable arm rest support plate (no tools needed)



Abdominal pressure system

Mechanical system

- Quick locking to the base plate
- 2 different bridge sizes adjustable in height
- Ball connection to pressure plate for automatic adjustment to different anatomies
- Safety mechanism to easily unlock the screw
- Screw is located next to the bridge, to position it outside of the treatment field
- All adjustments are indexed
- MRI compatible



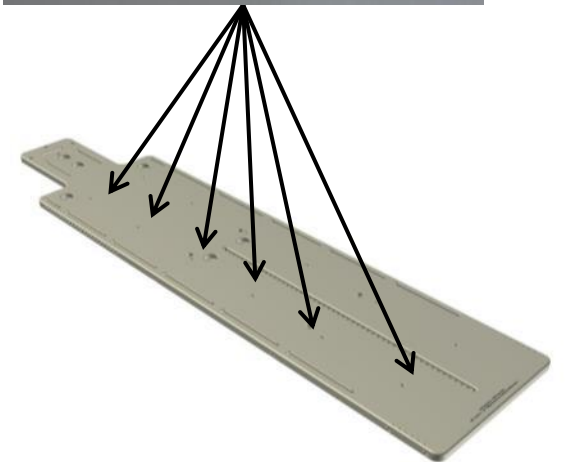
Pneumatic system

- Quick locking around the patient
- Size adjustable with indexed Velcro-type straps
- Inflatable bag with pressure read-out on manual pump
- MRI compatible (both the belt & the pump)



Vacuum bags

- High quality vacuum bag available in different sizes
- Narrow vacuum bags for patients to easily get in and out
- Automatic dual way vacuum pump
- Indexing bars for easy repositioning (MRI compatible)



Knee and feet support – long base plate

- Pre-shaped knee and feet support cushions
- Manufactured from coated foam for easy cleaning
- Handles to easily move the cushions
- Indexable every 2 cm (lift and drop)



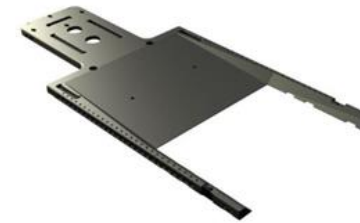
Knee and Feet Support – short base plate

The Knee and Feet Support are attached directly to the couch with a 2-pin bar.



SBRT Package Finder

Type of base plate



32317

32327

32336

32337

32333

32334

32331

32332

PACKAGE 1: SBRT LONG BASE PLATE

MR

MECHANICAL PRESSURE SYSTEM + CUSHION ARM SET-UP

Art. N° 32317

Art. N°	Description
32317/1	Long SBRT Base Plate
32317/2	Pressure system bridge - low - variable height
32317/4	Knee support - indexed
32317/5	Feet support - indexed
32317/6	Arm rest support plate
32317/8	Arm rest cushion
32317/11	Arm rest elevation cushion
32015/9/2	Grip pole long - 2 pcs.
32015/9/3	Grip pole short - 2 pcs.
35758-MD	Head support in PU foam - model 1 - with lateral neck flaps



PACKAGE 2: SBRT LONG BASE PLATE

MR

PNEUMATIC PRESSURE BELT SYSTEM + CUSHION ARM SET-UP

Art. N° 32327

Art. N°	Description
32317/1	Long SBRT Base Plate
32317/9	Pressure belt 120 cm - with manual pump
32317/4	Knee support - indexed
32317/5	Feet support - indexed
32317/6	Arm rest support plate
32317/8	Arm rest cushion
32317/11	Arm rest elevation cushion
32015/9/2	Grip pole long - 2 pcs.
32015/9/3	Grip pole short - 2 pcs.
35758-MD	Head support in PU foam - model 1 - with lateral neck flaps



PACKAGE 3: SBRT LONG BASE PLATE



MECHANICAL PRESSURE SYSTEM + MAMMORX ARM SET-UP

Art. N° 32336

Art. N°	Description
32317/1	Long SBRT base plate
32317/2	Pressure system bridge - low - variable height
32317/4	Knee support - indexed
32317/5	Feet support - indexed
32317/15	Arm rest support plate for upper arm supports and wrist supports
33170	Adjustable arm support
33170	Adjustable arm support
33176	Fixed grip pole
33176	Fixed grip pole
35758-MD	Head support in PU foam - model 1 - with lateral neck flaps



PACKAGE 4: SBRT LONG BASE PLATE



PNEUMATIC PRESSURE BELT SYSTEM + MAMMORX ARM SET-UP

Art. N° 32337

Art. N°	Description
32317/1	Long SBRT base plate
32317/9	Pressure belt 120 cm - with manual pump
32317/4	Knee support - indexed
32317/5	Feet support - indexed
32317/15	Arm rest support plate for upper arm supports and wrist supports
33170	Adjustable arm support
33170	Adjustable arm support
33176	Fixed grip pole
33176	Fixed grip pole
35758-MD	Head support in PU foam - model 1 - with lateral neck flaps



PACKAGE 1: SBRT SHORT BASE PLATE

MR

MECHANICAL PRESSURE SYSTEM + CUSHION ARM SET-UP

Art. N° 32333

Art. N°	Description
32317/14	Short SBRT base plate
32317/2	Pressure system bridge - low - variable height
32317/4	Knee support - indexed
32317/5	Feet support - indexed
32317/6	Arm rest support plate
32317/8	Arm rest cushion
32317/11	Arm rest elevation cushion
32015/9/2	Grip pole long - 2 pcs.
32015/9/3	Grip pole short - 2 pcs.
35758-MD	Head support in PU foam - model 1 - with lateral neck flaps



PACKAGE 2: SBRT SHORT BASE PLATE

MR

PNEUMATIC PRESSURE BELT SYSTEM + CUSHION ARM SET-UP

Art. N° 32334

Art. N°	Description
32317/14	Short SBRT base plate
32317/9	Pressure belt 120 cm - with manual pump
32317/4	Knee support - indexed
32317/5	Feet support - indexed
32317/6	Arm rest support plate
32317/8	Arm rest cushion
32317/11	Arm rest elevation cushion
32015/9/2	Grip pole long - 2 pcs.
32015/9/3	Grip pole short - 2 pcs.
35758-MD	Head support in PU foam - model 1 - with lateral neck flaps



PACKAGE 3: SBRT SHORT BASE PLATE



MECHANICAL PRESSURE SYSTEM + MAMMORX ARM SET-UP

Art. N° 32331

Art. N°	Description
32317/14	Short SBRT base plate
32317/2	Pressure system bridge - low - variable height
32317/4	Knee support - indexed
32317/5	Feet support - indexed
32317/15	Arm rest support plate for upper arm supports and wrist supports
33170	Adjustable arm support
33170	Adjustable arm support
33176	Fixed grip pole
33176	Fixed grip pole
35758-MD	Head support in PU foam - model 1 - with lateral neck flaps



PACKAGE 4: SBRT SHORT BASE PLATE



PNEUMATIC PRESSURE BELT SYSTEM + MAMMORX ARM SET-UP

Art. N° 32332

Art. N°	Description
32317/14	Short SBRT base plate
32317/9	Pressure belt: 120 cm - with manual pump
32317/4	Knee support - indexed
32317/5	Feet support - indexed
32317/15	Arm rest support plate for upper arm supports and wrist supports
33170	Adjustable arm support
33170	Adjustable arm support
33176	Fixed grip pole
33176	Fixed grip pole
35758-MD	Head support in PU foam - model 1 - with lateral neck flaps

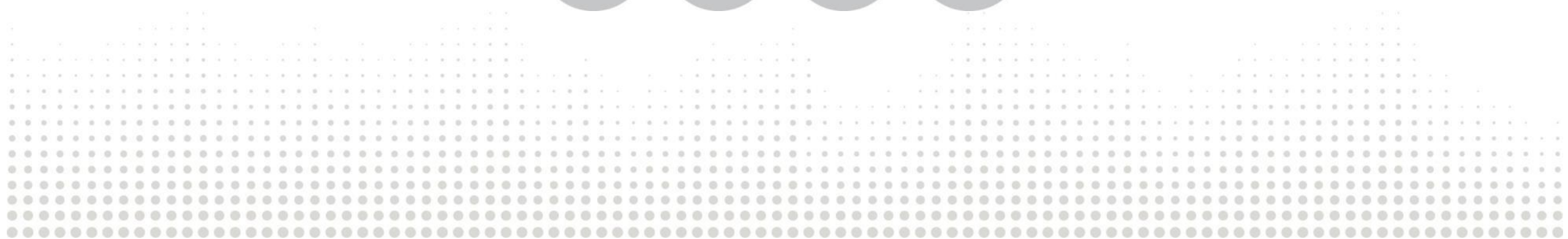




The
precision
expert

Thank you for your attention!

www.orfit.com



Contact

For further information or questions please contact Emilie Cuypers, Product Manager Radiation Oncology, or Stephanie Augustynen, Product Specialist Radiation Oncology

Email: emilie.cuypers@orfit.com

Stephanie.Augustynen@orfit.com

Tel: +32 (0)3 326 20 26

Address: Vosveld 9A, 2110 Wijnegem, Belgium

Website: www.orfit.com